

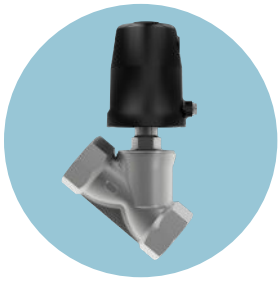
Gardner Denver

HEATLESS DESICCANT DRYER | 90-5,000 CFM

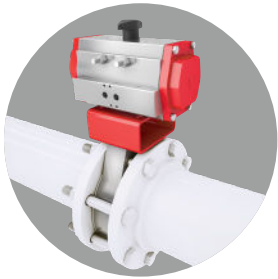
XGHL Series



X Series: NeXt-Generation Gardner Denver Air Treatment



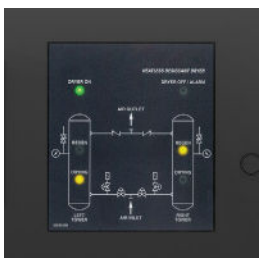
Angle seated single acting valve (up to 2" NPT)



High performance double off set butterfly valve (>2" NPT)



Intuitive system controller with backlit display



Easy to read status panel provides visual system indicators

HEATLESS DESICCANT AIR DRYERS

XGHL Series Features & Benefits

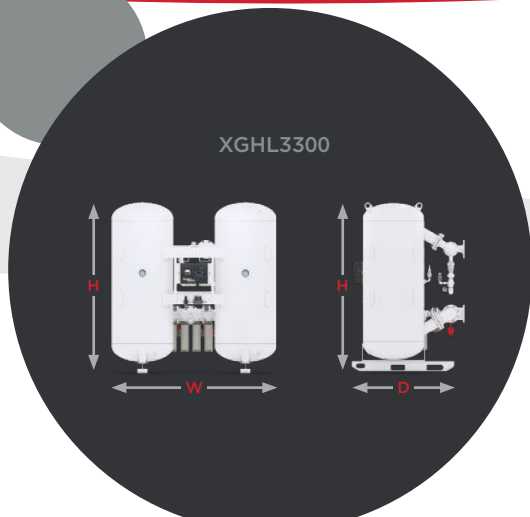
- **Low-profile design** permits placement of dryer in areas with low overhead clearances, while minimizing shipping costs
- **Rear-mounted inlet and outlet manifolds** provide convenient access to critical valves and components for easier and safer service and maintenance as compared to competitive designs
- **Standard NEMA 4 enclosure** suitable for indoor and outdoor applications, protects against dirt, dust, moisture and ice
- **New long life switching and purge valves** with extended service intervals
- **Enhanced controller** provides precise pneumatic valve sequencing; backlit LCD display is easy to read under all lighting conditions
- **Maintenance reminders** alert users to critical preventive maintenance intervals to ensure consistent, uninterrupted service
- **Easily accessible control air solenoid valves** with push to test feature
- **External communications** via Modbus accessible through the controller's RS-485 port
- **Status panel** provides quick visual indication of dryer operation, tower status and alarm annunciation

Reduce your total cost of ownership with the new XGHL Series of heatless desiccant dryers that provides clean, dry compressed air through a reliable design and superior serviceability.

*Premium Warranty**

1 Year—Standard | 4 Years—Extended | 5 Years—Total

*Parts and labor included. Contact your local distributor for more details.



SPECIFICATIONS:
XGHL SERIES | HEATLESS DESICCANT AIR DRYERS

MODEL	INLET FLOW		INLET CONNECTIONS	DIMENSIONS H × W × D		WEIGHT	
	SCFM	NM ³ /MIN		INCHES	MM	LB	KG
XGHL90	90	2.5	1" NPT	63.1 × 40.5 × 30.0	1603 × 1029 × 762	475	215
XGHL120	120	3.4	1" NPT	63.1 × 40.6 × 30.0	1603 × 1029 × 762	563	255
XGHL160	160	4.5	1 ½" NPT	66.1 × 44.5 × 32.0	1679 × 1130 × 813	707	321
XGHL200	200	5.7	1 ½" NPT	66.1 × 44.5 × 32.0	1679 × 1130 × 813	731	332
XGHL250	250	7.1	1 ½" NPT	66.8 × 48.5 × 32.0	1697 × 1232 × 813	869	394
XGHL300	300	8.5	2" NPT	66.8 × 48.5 × 33.6	1697 × 1232 × 854	924	419
XGHL400	400	11.3	2" NPT	67.8 × 52.5 × 35.8	1722 × 1334 × 910	1115	506
XGHL500	500	14.2	2" NPT	82.5 × 56.5 × 38.6	2096 × 1435 × 982	1564	709
XGHL600	600	17	2" NPT	82.5 × 56.5 × 38.6	2096 × 1435 × 982	1664	755
XGHL800	800	22.7	3" NPT	87.6 × 64.0 × 51.3	2225 × 1626 × 1303	900	408
XGHL1000	1000	28.3	3" NPT	87.6 × 64.0 × 51.3	2225 × 1626 × 1303	1100	499
XGHL1200	1200	34	3" NPT	87.6 × 64.0 × 51.3	2225 × 1626 × 1303	1270	576
XGHL1500	1500	42.5	4" FLG	80.0 × 78.0 × 61.1	2032 × 1981 × 1552	1600	726
XGHL1800	1800	51	4" FLG	91.9 × 84.0 × 60.6	2334 × 2134 × 1539	2000	907
XGHL2100	2100	59.5	4" FLG	91.9 × 84.0 × 60.6	2334 × 2134 × 1539	2340	1062
XGHL2700	2700	76.5	4" FLG	91.9 × 84.0 × 60.8	2334 × 2134 × 1544	2928	1328
XGHL3300	3300	93.5	6" FLG	100.0 × 96.0 × 66.0	2540 × 2438 × 1676	4000*	1814
XGHL4000	4000	113.3	6" FLG	100.0 × 96.0 × 66.0	2540 × 2438 × 1676	4400*	1996
XGHL5000	5000	141.6	6" FLG	92.0 × 102.0 × 72.0	2337 × 2591 × 1829	5600*	2540

*Dryer weight shown does not include desiccant. Desiccant shipped separately.

Standard Features Include:

- NEMA 4 electrical enclosure
- Digital controller
- High-strength activated alumina
- Tower pressure gauges
- High-efficiency prefilter and afterfilter
- Color change moisture indicator

Optional Features Include:

- Energy Management System (EMS) with dew point display
- Three-valve bypass
- Class 1 -73°C (-100°F) dew point
- Fail-to-shift alarm w/electronic pressure monitoring
- Ethernet
- Stainless steel control air tubing

The leader in every market we serve
by continuously improving all business processes
with a focus on innovation and velocity

**Gardner
Denver**[®]


Gardner Denver, Inc.

1800 Gardner Expressway
Quincy, IL 62305

www.gardnerdenver.com/gdproducts



©2020 Gardner Denver, Inc. Printed in U.S.A.
GA-XGHL 1st Ed. 11/20

 Please recycle after use.